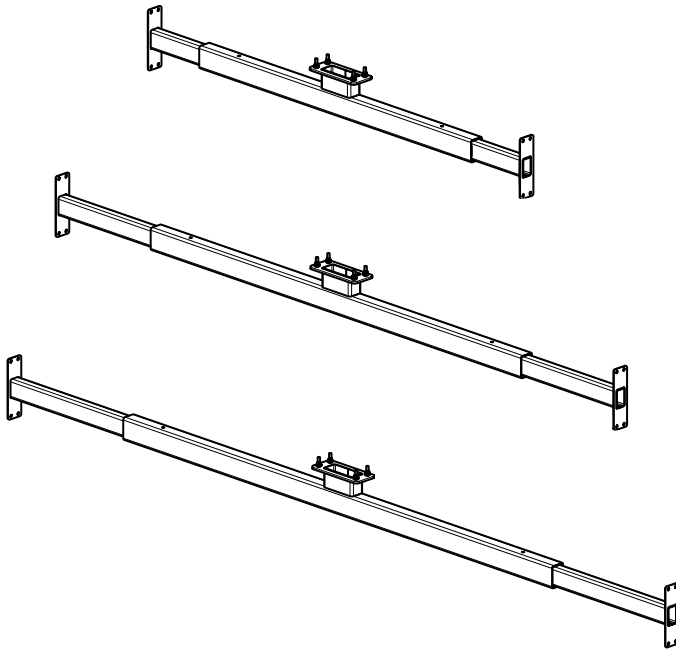


Installation Guide

SPDS1101, SPDS1102, SPDS1103

Indoor - Window Mount

STEP 1 OF 2





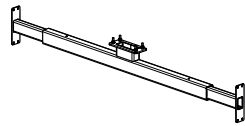
CAUTION

- Please ensure that you read and understand the contents of the installation guide before you begin the installation process.
- This product must be installed by a professional installer.
- This product is designed to be mounted in a window. Before installation please verify that the supporting surface can bear the combined weight of the full solution and hardware.
- Do not overtighten the fixings.
- The maximum weight limit for enclosure and the hardware (screen, accessories etc.) for this solution is 120 kg. Do not exceed the stated weight limit.
- It is the responsibility of the installer to use the appropriate fixings for the specific installation location. Please follow the fixing suppliers recommendations for installation.
- This product is intended for indoor use only.
- If these installation instructions are not followed precisely, it can lead to product failure and potential personal injury.
- Ergonomic Solutions cannot be held responsible for any product failure or personal injury, if the installation instructions are not followed correctly.
- Ergonomic Solutions cannot be held responsible for any product failure or personal injury, if any modifications have been made to the product by the customer.

MAINTENANCE

- It is the responsibility of the customer to periodically check the installation and ensure it is clean and all fixings are tightened correctly.

Box content



x1 Window mount (A)



x4 M6 x 30mm screws (B)



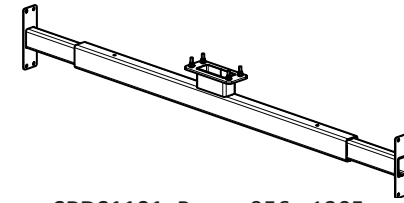
x4 M6 nuts (C)

Tool list

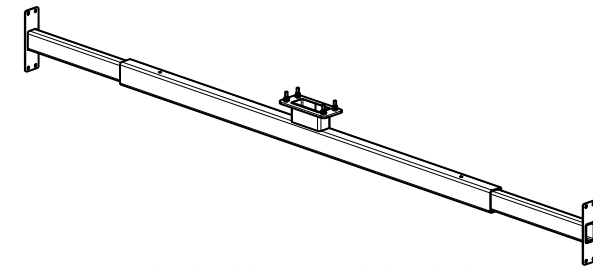


1

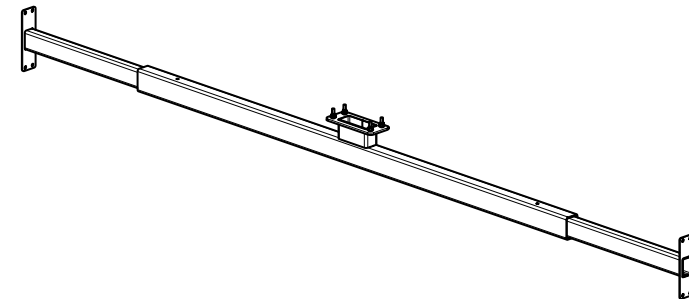
Selection of indoor window mounts



SPDS1101: Range 956 - 1305 mm



SPDS1102: Range 1310 - 1950 mm

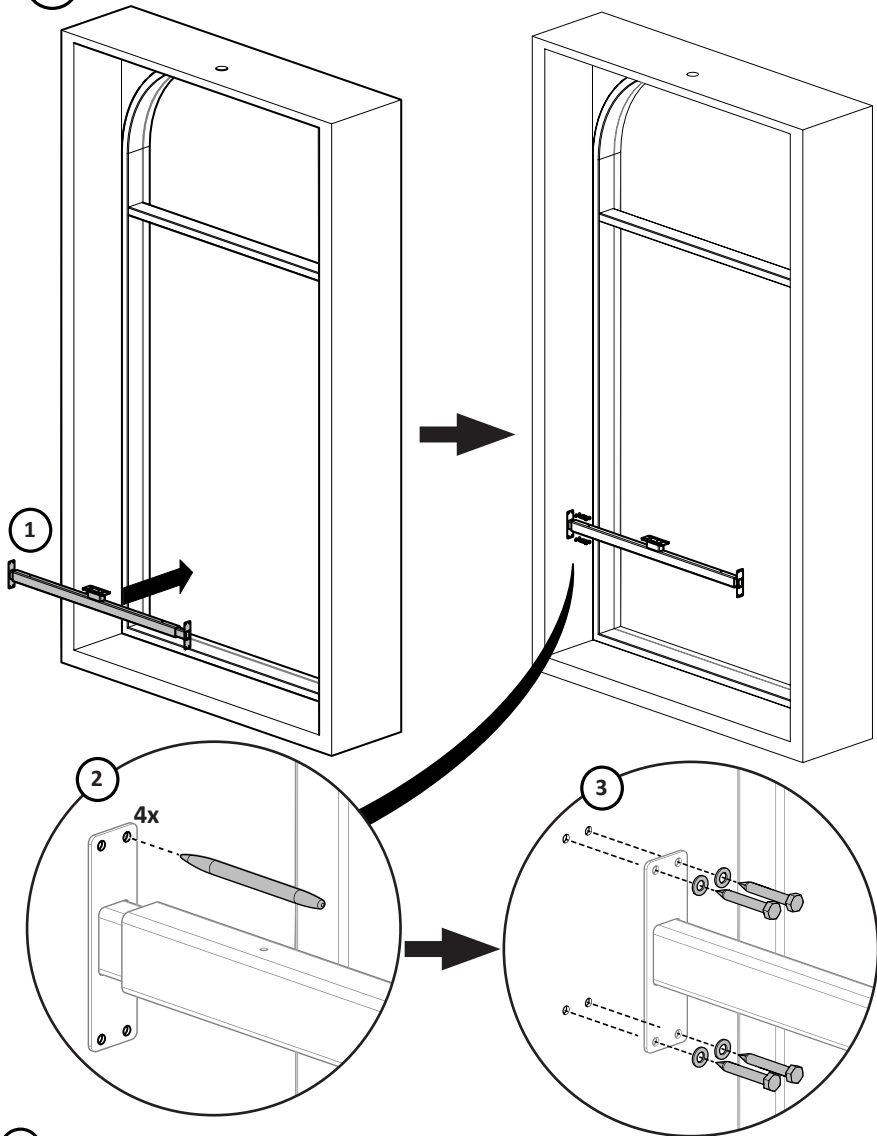


SPDS1103: Range 1510 - 2300 mm



Be sure to select the appropriate indoor window mount. The window mount can be adjusted in width in order to have the correct fit.

2 - Position & mark up window mount



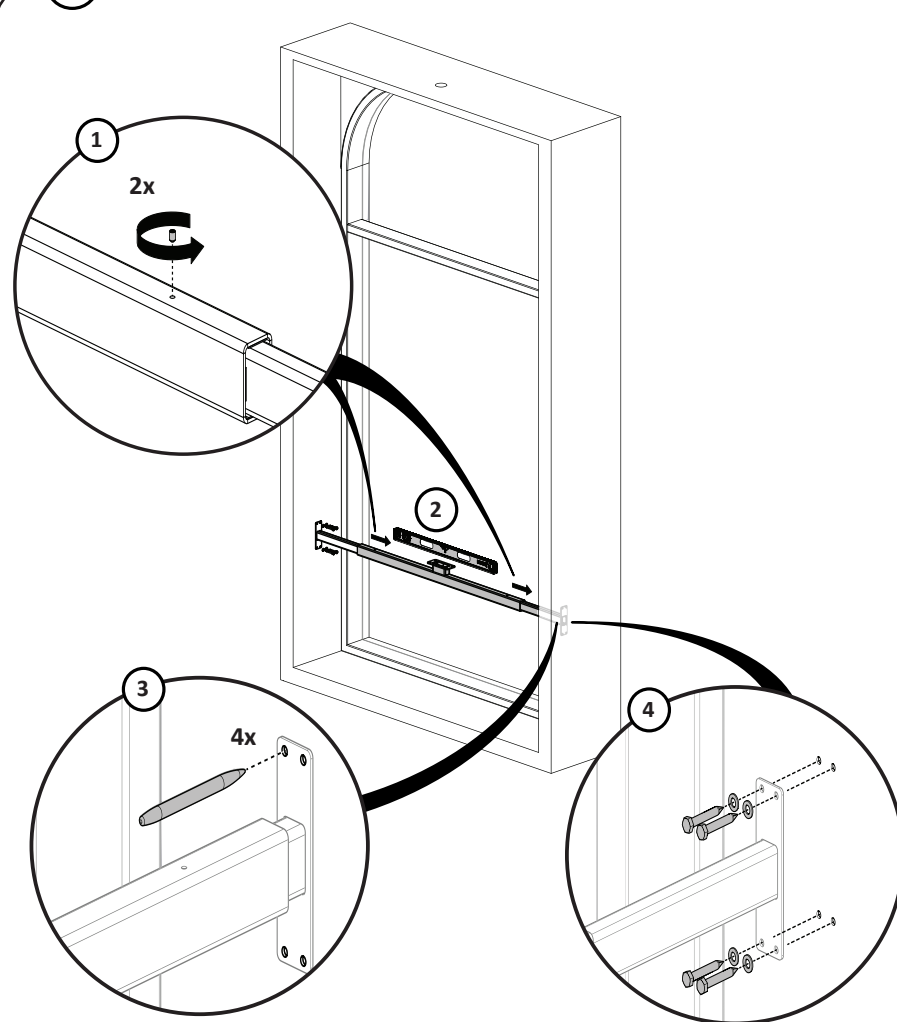
1 Position the window mount at the desired height

2 Mark up 4x holes the window mount

3 If needed, pre-drill the 4x marked up holes & insert wall plugs. Then install 4x screws & washers to only one of the two side walls*

 *No fixings supplied with SPDS1101-1103

4 - Fix the window mount to the window opening



1 Loosen the two grub screws & extend the window frame mount

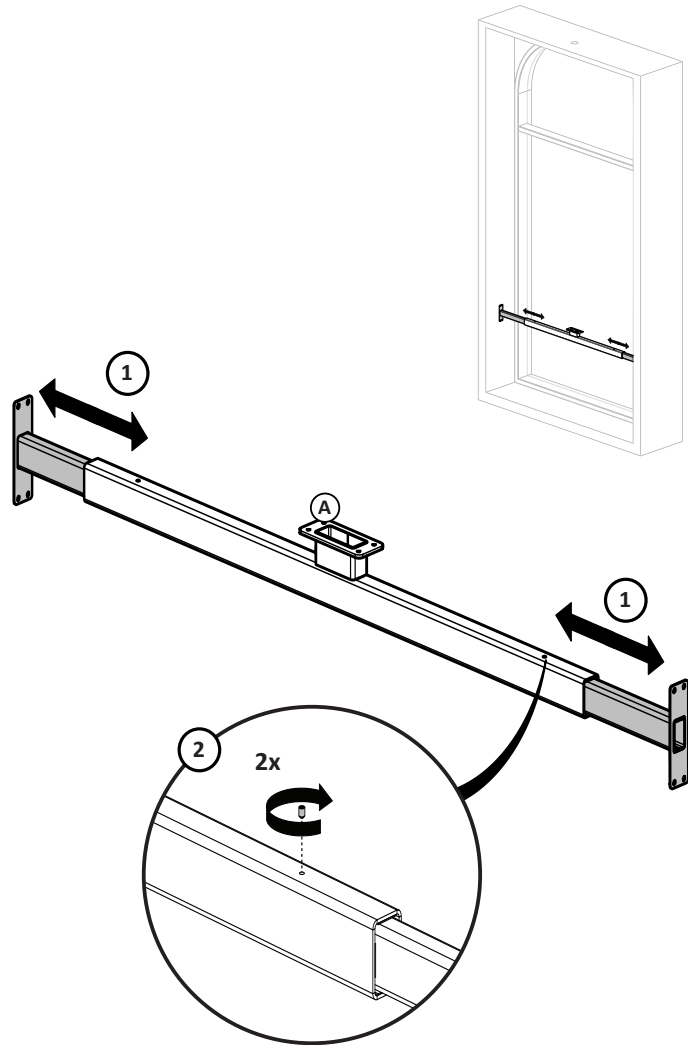
2 Level out the window mount

3 Mark up 4x holes on the opposite wall

4 If needed, pre-drill the 4x marked up holes & insert wall plugs. Then install the remaining 4x screws & washers to the opposite side wall*

 *No fixings supplied with SPDS1101-1103

3 Adjust window mount



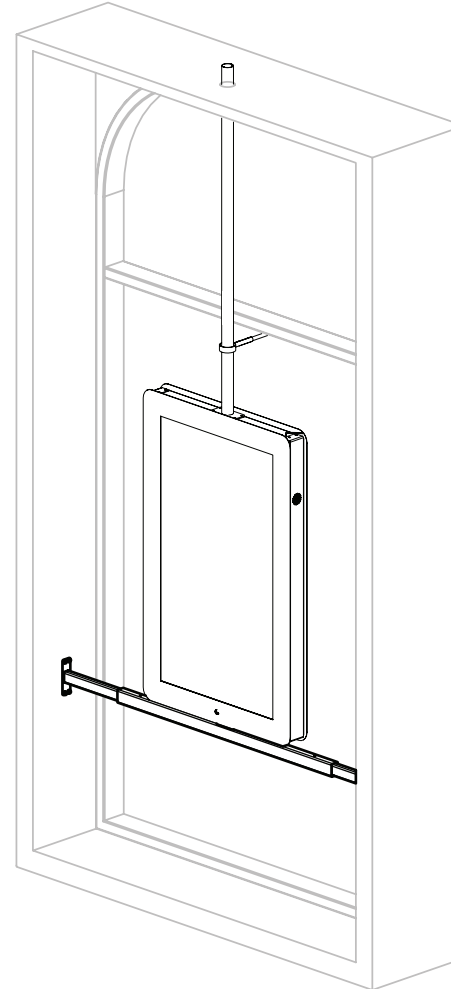
1 Evenly adjust the width of the mount so it fits with the window frame

2 Tighten the two grub screws to lock the mount width

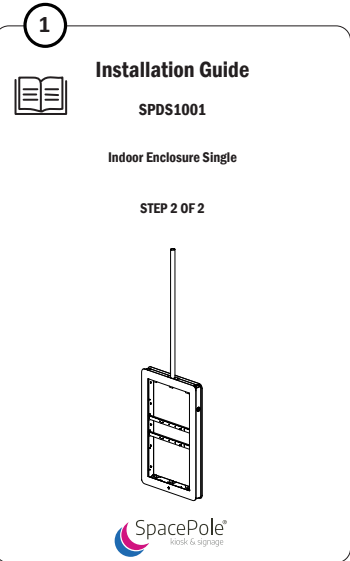


Do not extend window mounts further than its designed maximum length. See installation step 1.

5 Window mount & enclosure

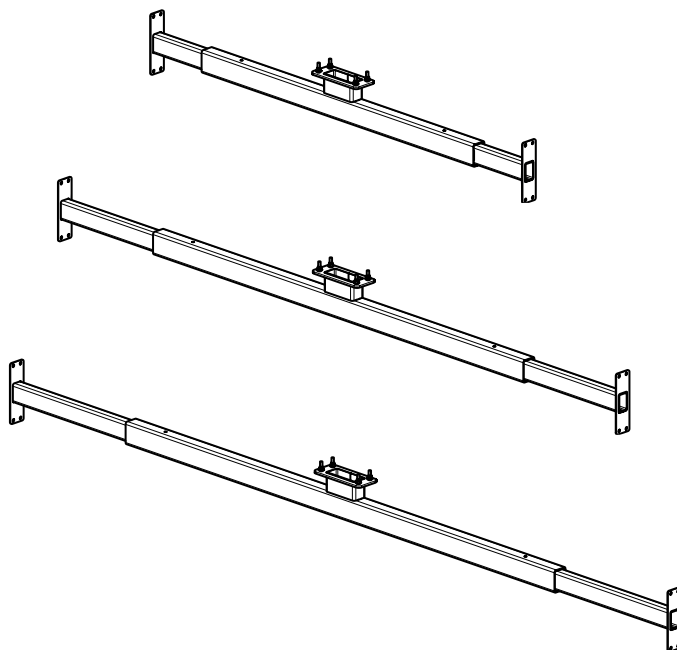


SPDS1101/1102/1103 + SPDS1001



1 Continue installation with guide MK15-0378 for SPDS1001

Need help? Contact us



SPDS1101, SPDS1102, SPDS1103



ergonomic.solutions/about/contact-us



spacepole.com/about/contact-us

